

8 poles - 750/900 rpm

	Description					Mechanical specifications						Electrical specifications							
	Code	Type	SIZE	 II2D Temp. class		Static moment* kgmm		Centrifugal force				Weight kg		Max input power W		Max. current A		I _a /I _n	
						50 Hz	60 Hz	50 Hz	60 Hz	50 Hz	60 Hz	50 Hz	60 Hz	50 Hz	60 Hz	400 V 50 Hz	460 V 60 Hz	50 Hz	60 Hz
three-phase	602568	MVSI 075/150-S02	20	• 130°C		163	163	104	149	1.02	1.46	19.0	19.0	230	250	0.85	0.76	2.13	2.11
	602575	MVSI 075/250-S02	30	• 130°C		286	286	181	260	1.76	2.55	27.5	27.5	350	380	1.10	1.05	2.03	2.29
	602615	MVSI 075/400-S02	35	• 120°C		457	457	288	415	2.83	4.07	36.5	36.5	280	300	0.60	0.68	1.73	2.94
	602616	MVSI 075/530-S02	35	• 120°C		580	580	365	528	3.60	5.20	41.0	41.0	280	300	0.60	0.68	1.73	2.94
	602609	MVSI 075/660-S08	40	• 120°C		723	723	456	656	4.47	6.44	48.0	48.0	400	450	1.20	1.20	2.38	2.58
	602610	MVSI 075/910-S08	50	• 120°C		1012	1012	637	917	6.25	9.00	58.0	58.0	400	500	1.40	1.30	2.38	2.85
	602618	MVSI 075/1310-S08	60	• 150°C		1464	1464	922	1327	9.04	13.0	83.0	83.0	950	1100	2.20	2.20	2.63	3.41
	602619	MVSI 075/1750-S08	60	• 150°C		1927	1927	1214	1747	11.9	17.1	93.0	93.0	1100	1300	2.60	2.60	2.78	3.04
	602891	MVSI 075/2110-S02	70	• 135°C		2326	2326	1463	2107	14.4	20.7	130	130	1500	1790	4.10	4.20	3.55	2.95
	602884	MVSI 075/3110-S02	80	• 135°C		3422	3422	2152	3099	21.1	30.4	188	188	2000	2300	5.40	5.20	3.98	4.62
	602515	MVSI 075/3800-S02	80	• 135°C		4206	4206	2645	3808	25.9	37.4	204	204	2500	3000	6.00	6.00	4.00	4.20
	602862	MVSI 075/4200-S02	90	• 135°C		4658	4658	2930	4218	28.7	41.4	238	238	2800	3350	6.50	6.50	3.84	4.00
	602826	MVSI 075/5300-S02	90	• 135°C		5838	5838	3672	5287	36.0	51.9	268	268	4000	4300	8.20	7.85	3.87	5.35
	602827	MVSI 075/6500-S90	95	□ 135°C		7197	7197	4526	6517	44.4	63.9	315	315	4900	5800	9.90	9.50	3.04	3.26
	602551	MVSI 075/6800-S02 ^Δ	97	□ 135°C		7340	7340	4616	6647	45.3	65.2	330	330	5600	6000	10.5	10.0	3.12	3.30
	602870	MVSI 075/10000-S02	97	□ 135°C		12390	10973	7792	9937	76.4	97.5	438	419	6800	7450	13.2	12.0	3.33	3.92
	602863	MVSI 075/12000-S90	100	□ 135°C		13816	12407	8689	11235	85.2	110	540	520	7600	8300	14.0	13.5	3.72	3.78
	602871	MVSI 075/14000-S02	105	□ 135°C		17946	15500	11285	14036	111	138	702	680	9200	9600	21.0	19.5	4.99	5.44
602872	MVSI 075/17000-S02	105	□ 135°C		21337	19064	13418	17263	132	169	755	711	10400	11140	22.0	20.0	5.50	5.90	
602873	MVSI 075/22000-S90	110	□ 135°C		28633	24508	18005	22192	177	218	1015	981	12500	16200	26.5	28.0	5.63	4.71	
602535	MVSI 075/26000-S90	110	□ 135°C		-	28633	-	25927	-	254	-	1015	-	16200	-	28.0	-	4.71	
602589	MVSI 075/30000-S02	120	-	-	33440	33440	21070	30430	207	299	1125	1160	-	-	-	-	-	-	

* Working moment = 2 x static moment. ^Δ For special application. □ CSA certification on request, with feeding line included.
I_a/I_n = ratio between start-up current and maximum current.

Type	Dimensional specifications (mm)															Cable entry thread
	Fig.	A	B	C	D	E	Holes		F	H	I	L	M	N		
							øG	N°								
MVSI 075/150-S02	A	344	203	167	105	140	13	4	30	82.5	93	145	140	160	M25x1,5	
MVSI 075/250-S02	A	394	216	205	120	170	17	4	45	93.5	106	170	160	182	M25x1,5	
MVSI 075/400-S02	A	435	225	205	120	170	17	4	54	104.5	117.5	187	162	203	M25x1,5	
MVSI 075/530-S02	A	480	225	205	120	170	17	4	54	104.5	140	187	162	203	M25x1,5	
MVSI 075/660-S08	A	500	246	230	140	190	17	4	54	116	134	207	190	225	M25x1,5	
MVSI 075/910-S08	A	574	246	230	140	190	17	4	54	116	171	207	190	225	M25x1,5	
MVSI 075/1310-S08	A	617	272	275	155	225	22	4	70	130	177	238	210	253	M25x1,5	
MVSI 075/1750-S08	A	617	272	275	155	225	22	4	70	130	177	238	210	253	M25x1,5	
MVSI 075/2110-S02	A	666	321	310	155	255	23.5	4	77	157	178	277	215	295	M25x1,5	
MVSI 075/3110-S02	A	734	347	340	180	280	26	4	80	165	202	303	240	320	M32x1,5	
MVSI 075/3800-S02	A	796	347	340	180	280	26	4	80	165	233	303	240	320	M32x1,5	
MVSI 075/4200-S02	A	744	370	390	200	320	28	4	90	180	192	330	270	350	M32x1,5	
MVSI 075/5300-S02	A	840	370	390	200	320	28	4	90	180	240	330	270	350	M32x1,5	
MVSI 075/6500-S90	A	870	395	392	200	320	28	4	100	192	255	355	270	375	M32x1,5	
MVSI 075/6800-S02 ^Δ	C	862	437	460	125	380	39	6	35	215	230	387	320	414	M32x1,5	
MVSI 075/10000-S02	C	1002	437	460	125	380	39	6	35	215	300	387	320	414	M32x1,5	
MVSI 075/12000-S90	C	1070	454	530	140	440	45	6	38	230	280	423	370	448	M32x1,5	
MVSI 075/14000-S90	F	1040	526	570	140	480	45	8	41	268	240	486	510	516	M32x1,5	
MVSI 075/17000-S90	F	1120	526	570	140	480	45	8	41	268	280	486	510	516	M32x1,5	
MVSI 075/22000-S90	F	1150	607	610	140	520	45	8	38	297	297.5	542	510	582	M32x1,5	
MVSI 075/26000-S90	F	1150	607	610	140	520	45	8	38	297	297.5	542	510	582	M32x1,5	
MVSI 075/30000-S02	Q	1205	648	700	140	600	45	8	45	320	310	600	510	660	M32x1,5	

^Δ For special application. Several sizes are available with different mounting bolt patterns. Please contact sales office at Italtibras.

Fig. A

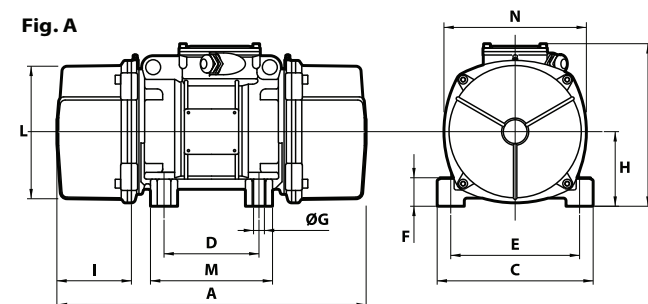


Fig. C

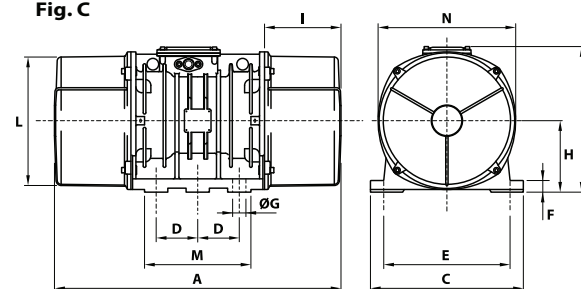


Fig. F

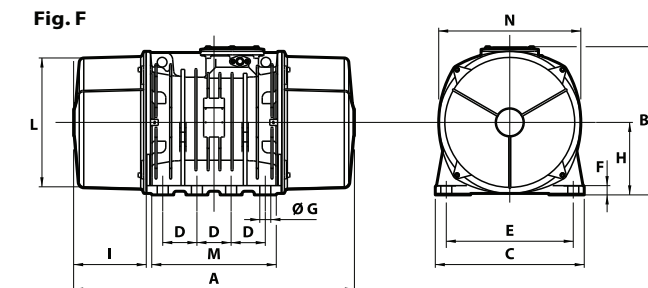


Fig. Q

